

## Needle loom – MN-HD

– reliable design at sensible cost –

### Standard delivery scope



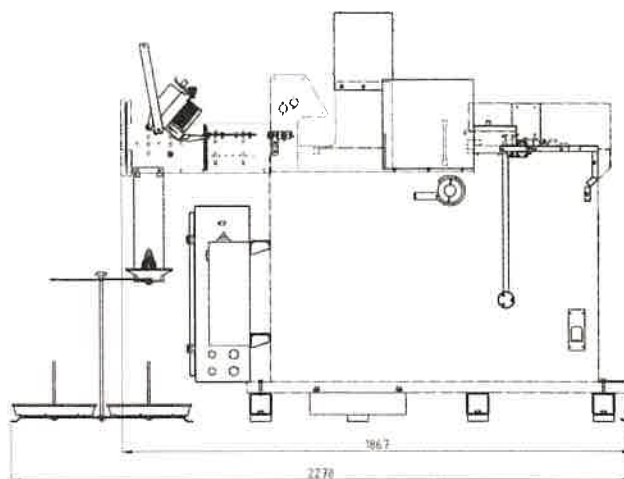
Needle loom – MN 1/320-HD

- Weaving system I (weft thread knitting)
- Weaving system II (catch thread knitting)
- Double roller tape take-off with pressure roller in rough knurled steel execution
- Frequency control of drive motor
- Weft thread feed-in "IRO" incl. weft stop motion
- Warp thread feed-in via rods incl. warp stop motion by droppers
- Weaving elements with drive for weft needle, knitting needle and reed
- Powerful reed beat up with double sided drive motion
- Reed holder for back reed
- Shed motion system with electronic dobby incl. programming system

The MAGEBA HD needle looms series represent an ideal machine to economically produce heavy weight articles.

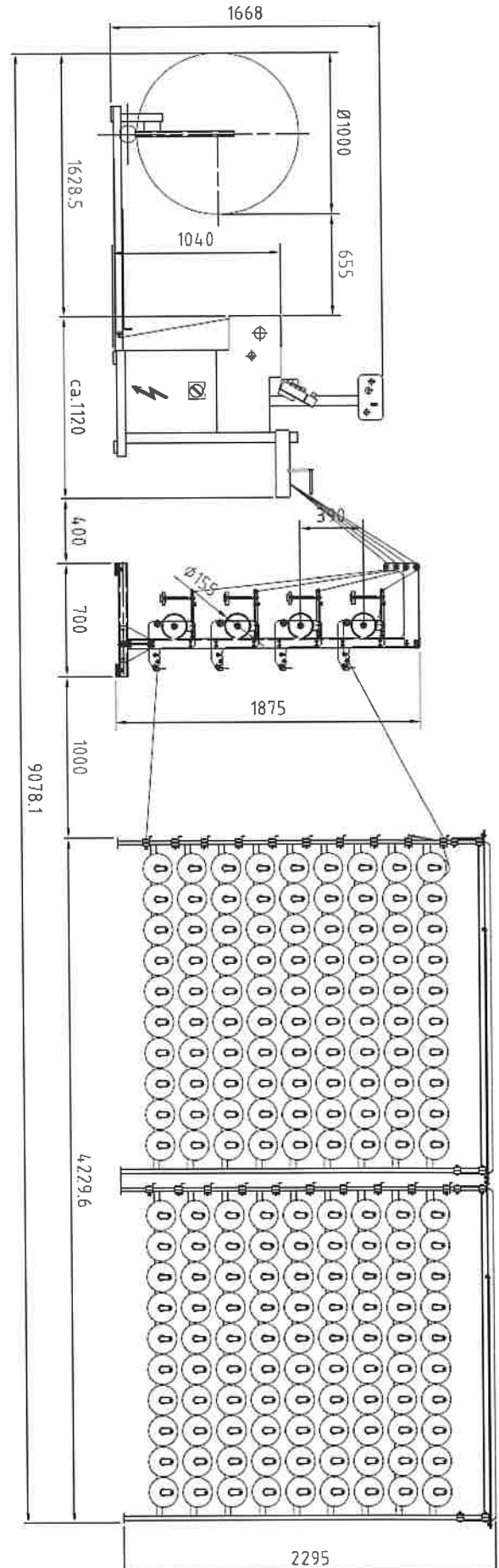
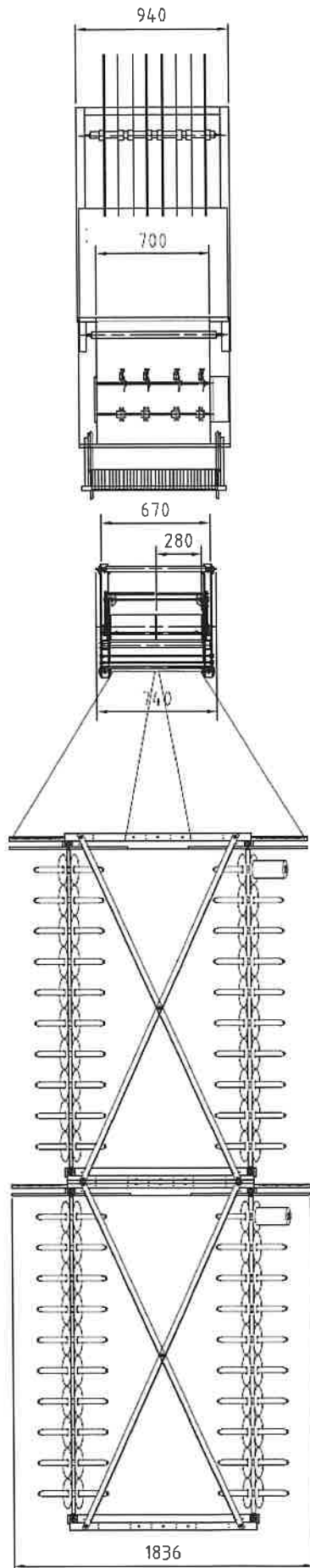
### Options

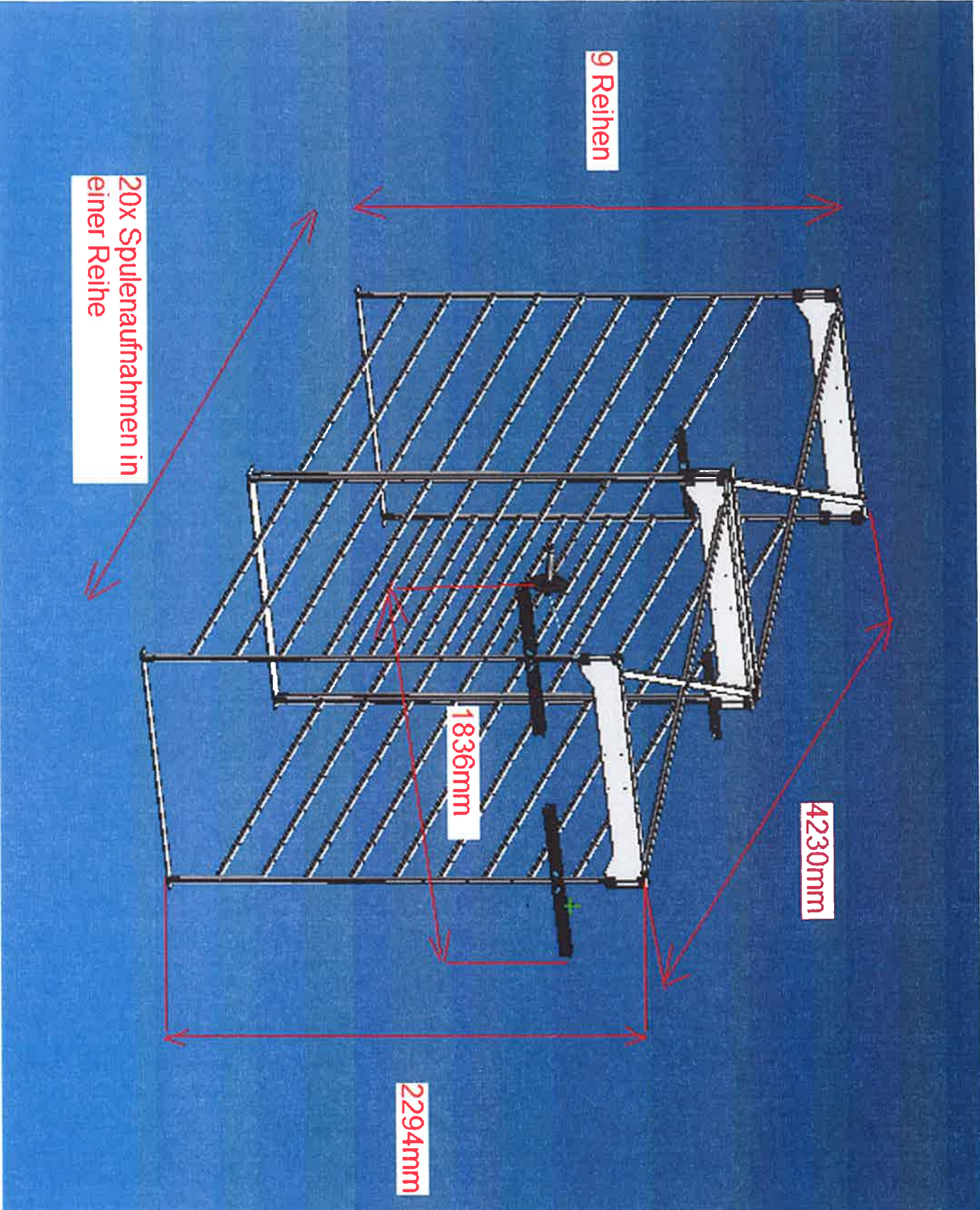
- Weaving system V (lock thread knitting)
- Meter counter (electronic)
- Warp tension device
- Back frame
- Positive warp let-off motion
- Weaving creel
- Further accessories upon request



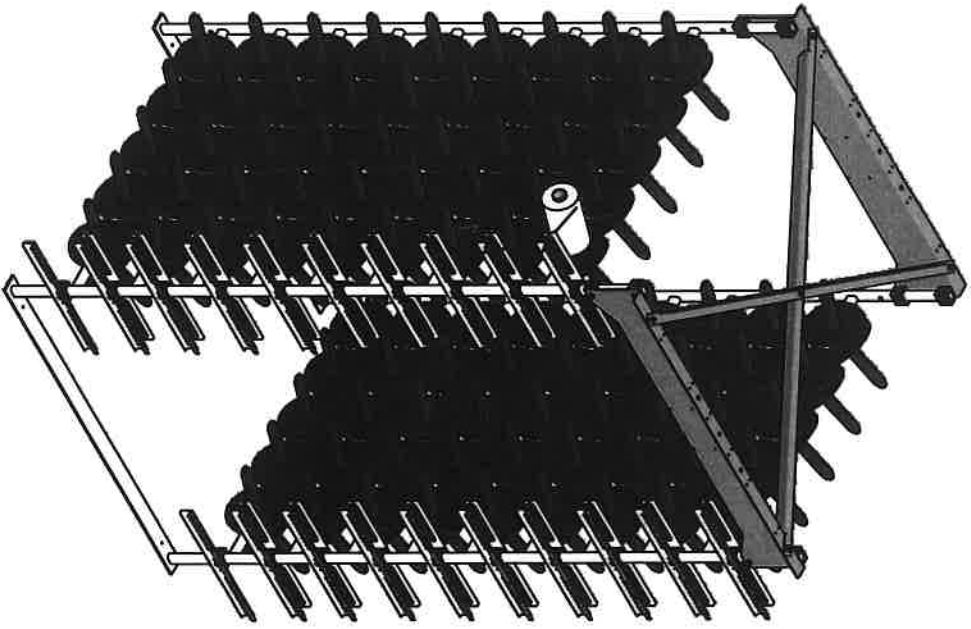
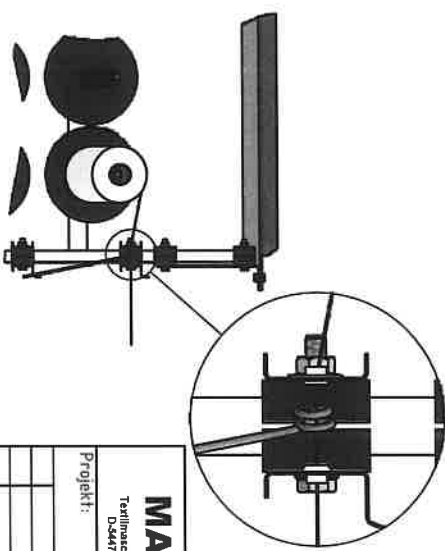
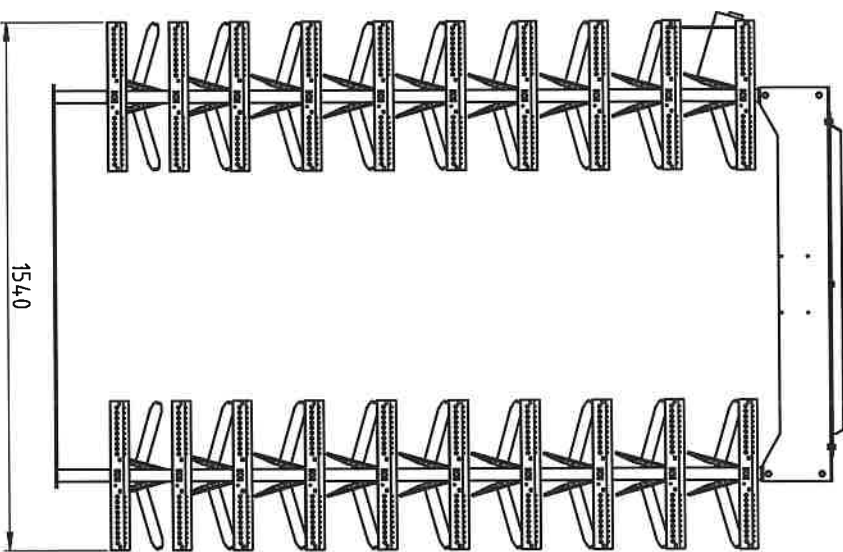
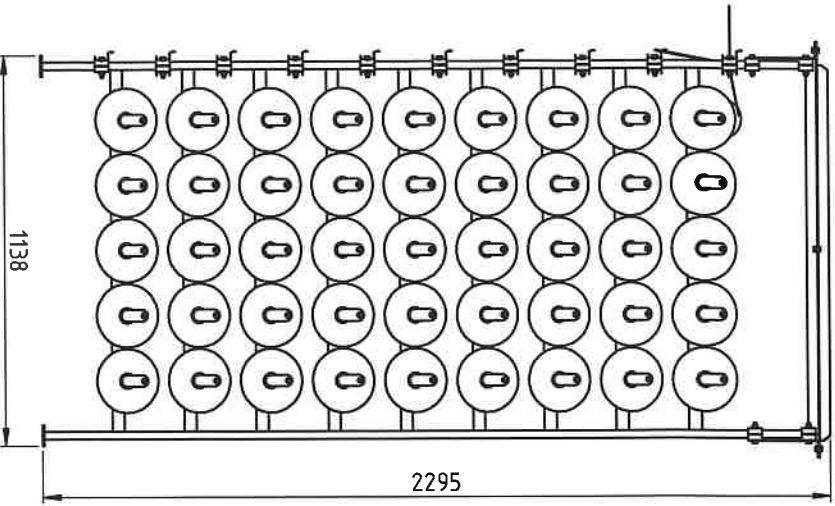
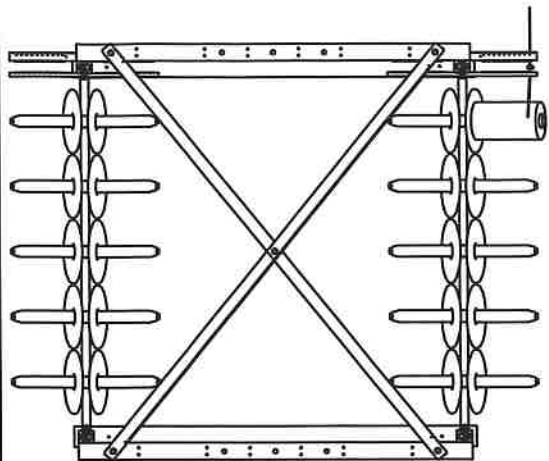
For the production of light to medium-weight rigid and elastic tapes we recommend our needle looms in standard execution.

Type	Stations	Reed width max.	Electronic dobby.
1/320-HD	1	320 mm	16 harness frames
2/160-HD	2	160 mm	16 harness frames









<b>MAGEBA</b>		Schnitkreuzmaschinen für Weberei		Oberfläche:		Gewicht: -	
Textilmaschinen GmbH & Co. KG		Refer to previous notes		gemäß		Druckfarbe:	
D-34470 Bernhardt-Kluse		70% Nylon		DIN ISO 302 Bild 3			
Projekt:		Allgemeintoleranz		Reihe 2			
		DIN ISO 2768-mK		Hilfszeug:			
Bearb:		Datum:		Name:			
Gepr.:		11.03.2015		Y.M.			
Norm:		Tape creel 180					
Artikel Nr.:		K28652		Zustellungsdauer:		Blatt: A3	
G:		1540x1138x2295mm		Erfeld:		Bl. 1/1	
Änderung:		Datum:		Name:		Erfeld:	
Urspr.:							